

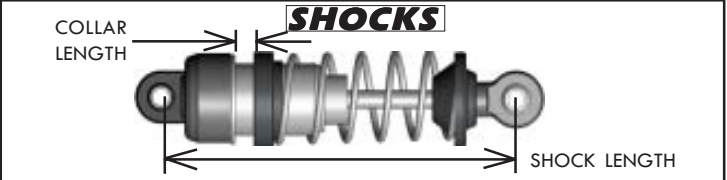


DRIVER: _____
 DATE: _____
 EVENT: _____
 CLASS: _____
 TRACK: _____ LENGTH: _____

Clay Hard Packed Loose Dirt
 Carpet Asphalt Concrete
 Flat Banked True Oval Tri-Oval
 Traction: High Medium Low

FRONT SUSPENSION

<p>LEFT</p> <p>CAMBER: _____</p> <p>CAMBER LINK LOCATION <input type="checkbox"/> OUTER <input type="checkbox"/> INNER</p> <p>CAMBER RATE SHIMS: _____</p> <p>TOE IN/OUT _____</p> <p>RF <input type="checkbox"/> LEAD <input type="checkbox"/> TRAIL AMOUNT: _____</p> <p>SWAY BAR: <input type="checkbox"/> NONE <input type="checkbox"/> .063" <input type="checkbox"/> .078"</p> <p>CHASSIS POSITION <input type="checkbox"/> OUTER <input type="checkbox"/> MIDDLE <input type="checkbox"/> INNER</p> <p>ACKERMANN: <input type="checkbox"/> ON SPINDLE <input type="checkbox"/> SHORT <input type="checkbox"/> MIDDLE <input type="checkbox"/> LONG</p> <p>FRONT AXLE: <input type="checkbox"/> STOCK <input type="checkbox"/> EXTENDED</p> <p>CASTOR: <input type="checkbox"/> 0° <input type="checkbox"/> +5° <input type="checkbox"/> -5° <input type="checkbox"/> +10° <input type="checkbox"/> -10°</p> <p>KICK-UP: <input type="checkbox"/> 25° <input type="checkbox"/> 20° HIGH <input type="checkbox"/> 20° LO <input type="checkbox"/> 15° HIGH <input type="checkbox"/> 15° LO</p> <p>AXLE SHIMS: _____</p>	<p>RIGHT</p> <p>CAMBER: _____</p> <p>CAMBER LINK LOCATION <input type="checkbox"/> OUTER <input type="checkbox"/> INNER</p> <p>CAMBER RATE SHIMS: _____</p> <p>CHASSIS POSITION <input type="checkbox"/> OUTER <input type="checkbox"/> MIDDLE <input type="checkbox"/> INNER</p> <p>ACKERMANN: <input type="checkbox"/> ON SPINDLE <input type="checkbox"/> SHORT <input type="checkbox"/> MIDDLE <input type="checkbox"/> LONG</p> <p>FRONT AXLE: <input type="checkbox"/> STOCK <input type="checkbox"/> EXTENDED</p> <p>CASTOR: <input type="checkbox"/> 0° <input type="checkbox"/> +5° <input type="checkbox"/> -5° <input type="checkbox"/> +10° <input type="checkbox"/> -10°</p> <p>AXLE SHIMS: _____</p>
---	--



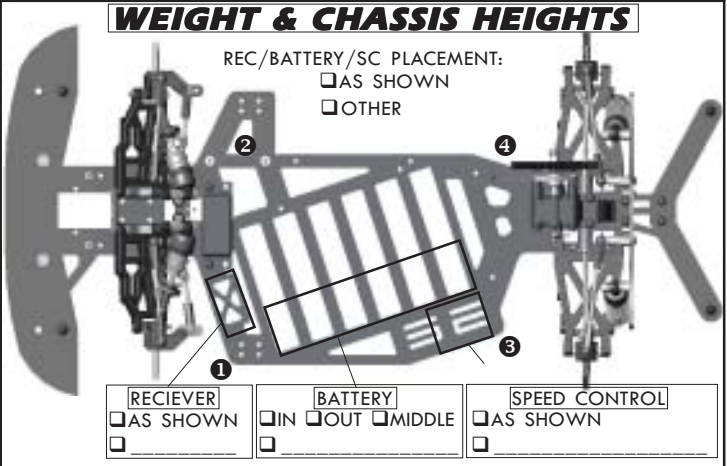
<p>LEFT FRONT SHOCK</p> <p>BODY LENGTH <input type="checkbox"/> SHORT <input type="checkbox"/> MED <input type="checkbox"/> LONG</p> <p>SHAFT LENGTH <input type="checkbox"/> SHORT <input type="checkbox"/> MED <input type="checkbox"/> LONG</p> <p>SPRING: _____</p> <p>OIL: _____ PISTON: _____</p> <p>BLADDER: _____</p> <p>LENGTH: _____</p> <p>COLLAR: _____</p>	<p>RIGHT FRONT SHOCK</p> <p>BODY LENGTH <input type="checkbox"/> SHORT <input type="checkbox"/> MED <input type="checkbox"/> LONG</p> <p>SHAFT LENGTH <input type="checkbox"/> SHORT <input type="checkbox"/> MED <input type="checkbox"/> LONG</p> <p>SPRING: _____</p> <p>OIL: _____ PISTON: _____</p> <p>BLADDER: _____</p> <p>LENGTH: _____</p> <p>COLLAR: _____</p>
--	---

REAR SUSPENSION

<p>LEFT</p> <p>CAMBER LINK LOCATION <input type="checkbox"/> OUTER <input type="checkbox"/> INNER</p> <p>HUB SPACING: F O O O O O O O R</p> <p>CAMBER: _____</p> <p>TOE-IN: _____</p> <p>WHEEL SPACERS: _____</p>	<p>RIGHT</p> <p>CAMBER LINK LOCATION <input type="checkbox"/> INNER <input type="checkbox"/> OUTER</p> <p>HUB SPACING: F O O O O O O O R</p> <p>CAMBER: _____</p> <p>TOE-IN: _____</p> <p>WHEEL SPACERS: _____</p>
--	---

-SHADE IN MOUNTING LOCATIONS ON SUSPENSION ARMS, BEARING CARRIER AND SHOCK TOWER.

<p>LEFT REAR SHOCK</p> <p>BODY LENGTH <input type="checkbox"/> SHORT <input type="checkbox"/> MED <input type="checkbox"/> LONG</p> <p>SHAFT LENGTH <input type="checkbox"/> SHORT <input type="checkbox"/> MED <input type="checkbox"/> LONG</p> <p>SPRING: _____</p> <p>OIL: _____ PISTON: _____</p> <p>BLADDER: _____</p> <p>LENGTH: _____</p> <p>COLLAR: _____</p>	<p>RIGHT REAR SHOCK</p> <p>BODY LENGTH <input type="checkbox"/> SHORT <input type="checkbox"/> MED <input type="checkbox"/> LONG</p> <p>SHAFT LENGTH <input type="checkbox"/> SHORT <input type="checkbox"/> MED <input type="checkbox"/> LONG</p> <p>SPRING: _____</p> <p>OIL: _____ PISTON: _____</p> <p>BLADDER: _____</p> <p>LENGTH: _____</p> <p>COLLAR: _____</p>
---	--



TIRES & TRACTION

TIRE TYPE: FOAM STREET RUBBER LOOSE DIRT

COMPOUND	DIAMETER	INSERT
RF: _____	_____	_____
LF: _____	_____	_____
RR: _____	_____	_____
LR: _____	_____	_____

TRACTION ADDITIVE: _____

-SHADE IN AREAS OF TRACTION ADDITIVE AND DRAW IN TIRE GROOVES

<p>CORNER WEIGHTS:</p> <p>LF: _____ RF: _____</p> <p>LR: _____ RR: _____</p>	<p>CHASSIS HEIGHTS BY LOCATION:</p> <p>1 _____ 2 _____</p> <p>3 _____ 4 _____</p> <p>MEASURED FROM: <input type="checkbox"/> TOP OF CHASSIS <input type="checkbox"/> BOTTOM OF CHASSIS</p>
---	---

OVERALL WEIGHT: _____

MISC...

BATTERY TYPE: LIPO NiMH

MOTOR: _____

PINION: _____ SPUR: _____

BODY TYPE: MODIFIED LATE MODEL

PART# _____

SPOILER ANGLE: _____

SPOILER LENGTH: _____

WICKERBILL: _____

BODY LOCATION FROM A BODY POST: _____